

WHELEN[®]

ENGINEERING COMPANY INC.

Route 145, Winthrop Road,

Chester, Connecticut 06412

Phone: (860) 526-9504

Fax: (860) 526-4078

Internet: www.whelen.com

Sales e-mail: autosale@whelen.com

Canadian Sales e-mail: autocan@whelen.com

Customer Service e-mail: custserv@whelen.com

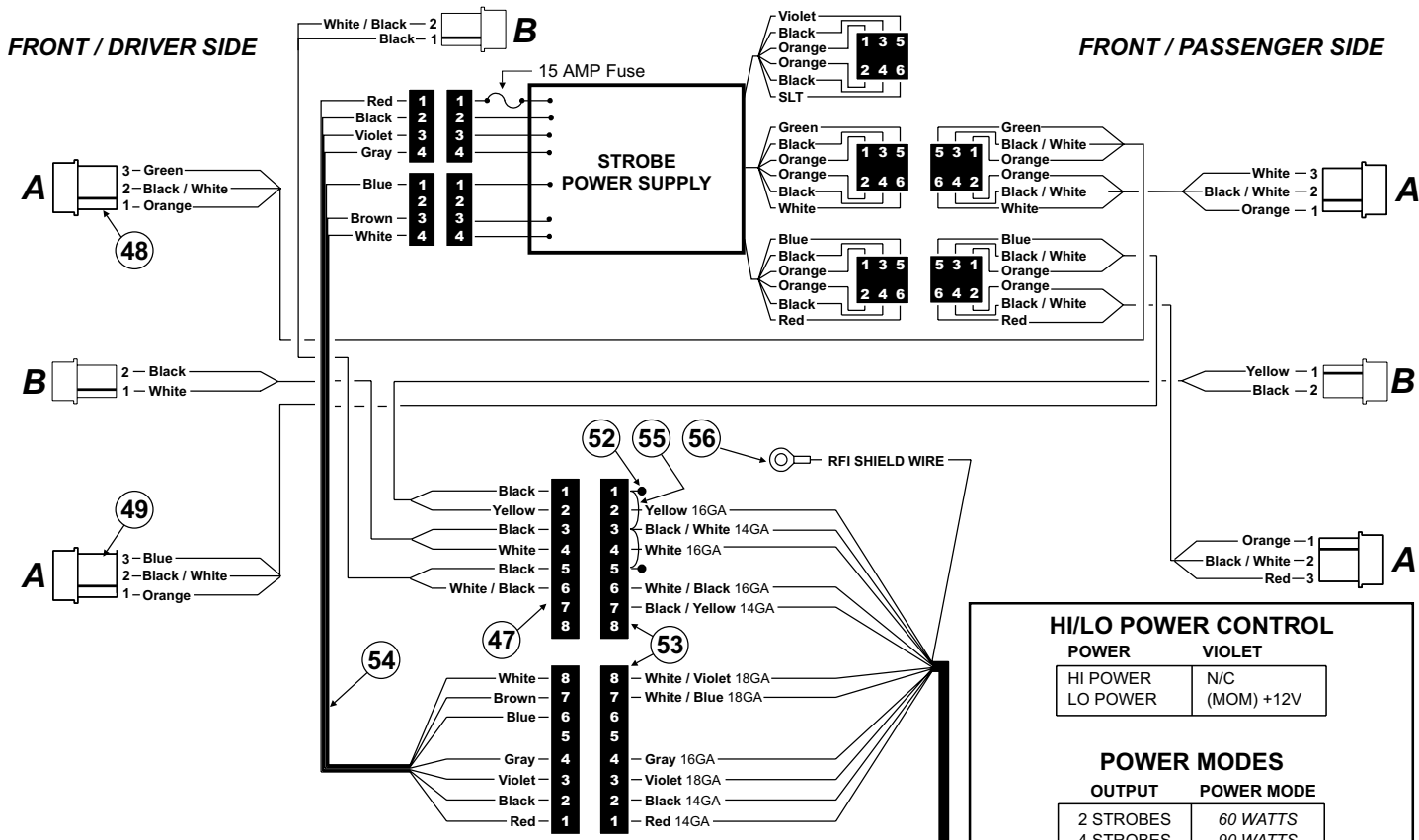
Wiring & Part Replacement Guide Mini-Edge Lightbar

Safety First

This document provides all the necessary information to allow your Whelen product to be properly and safely installed. Before beginning the installation and/or operation of your new product, the installation technician and operator must read this manual completely. Important information is contained herein that could prevent serious injury or damage.

- **Proper installation of this product requires the installer to have a good understanding of automotive electronics, systems and procedures.**
- **If mounting this product requires drilling holes, the installer MUST be sure that no vehicle components or other vital parts could be damaged by the drilling process. Check both sides of the mounting surface before drilling begins. Also de-burr any holes and remove any metal shards or remnants. Install grommets into all wire passage holes.**
- **If this product is mounted with tape or Velcro™, clean the mounting surface with a 50/50 mix of isopropyl alcohol and water and dry thoroughly.**
- **Do not install this product or route any wires in the deployment area of your air bag. Equipment mounted or located in the air bag deployment area will damage or reduce the effectiveness of the air bag, or become a projectile that could cause serious personal injury or death. Refer to your vehicle owners manual for the air bag deployment area. The User/Installer assumes full responsibility to determine proper mounting location, based on providing ultimate safety to all passengers inside the vehicle.**
- **For this product to operate at optimum efficiency, a good electrical connection to chassis ground must be made. The recommended procedure requires the product ground wire to be connected directly to the NEGATIVE (-) battery post.**
- **If this product uses a remote device to activate or control this product, make sure that this control is located in an area that allows both the vehicle and the control to be operated safely in any driving condition.**
- **Do not attempt to activate or control this device in a hazardous driving situation.**
- **This product contains either strobe light(s), halogen light(s), high-intensity LEDs or a combination of these lights. Do not stare directly into these lights. Momentary blindness and/or eye damage could result.**
- **Use only soap and water to clean the outer lens. Use of other chemicals could result in premature lens cracking (crazing) and discoloration. Lenses in this condition have significantly reduced effectiveness and should be replaced immediately. Inspect and operate this product regularly to confirm its proper operation and mounting condition. Do not use a pressure washer to clean this product.**
- **It is recommended that these instructions be stored in a safe place and referred to when performing maintenance and/or reinstallation of this product.**
- **FAILURE TO FOLLOW THESE SAFETY PRECAUTIONS AND INSTRUCTIONS COULD RESULT IN DAMAGE TO THE PRODUCT OR VEHICLE AND/OR SERIOUS INJURY TO YOU AND YOUR PASSENGERS!**

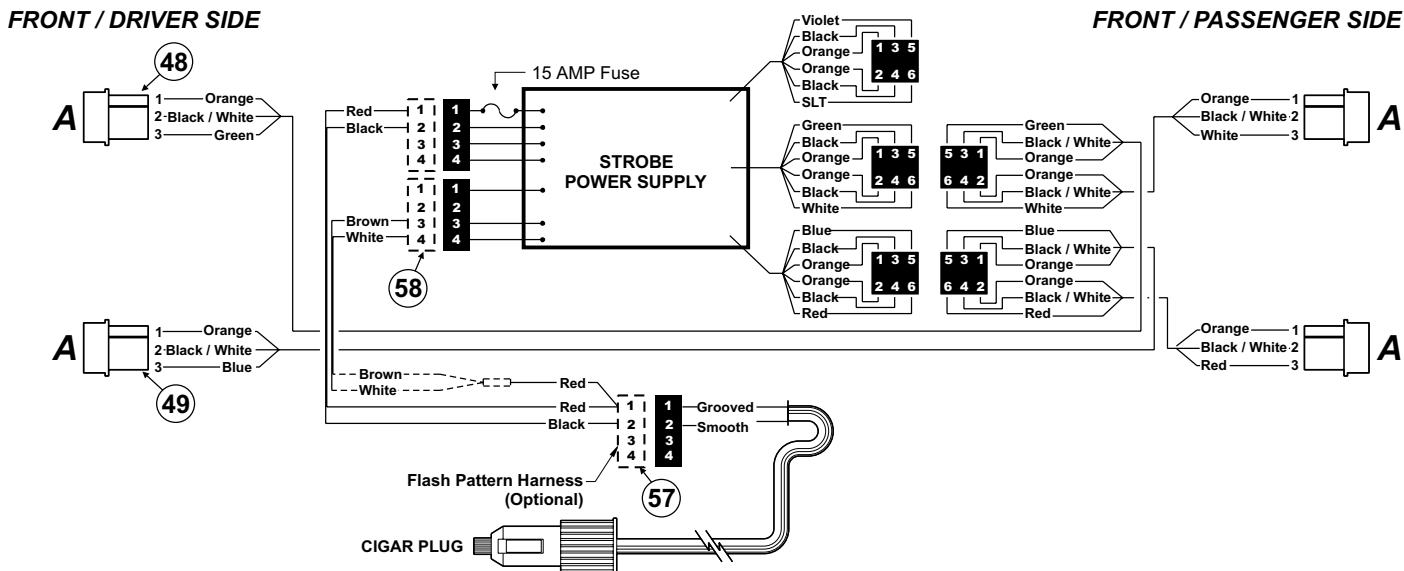
MINI-EDGE LIGHTBAR / WIRING DIAGRAM

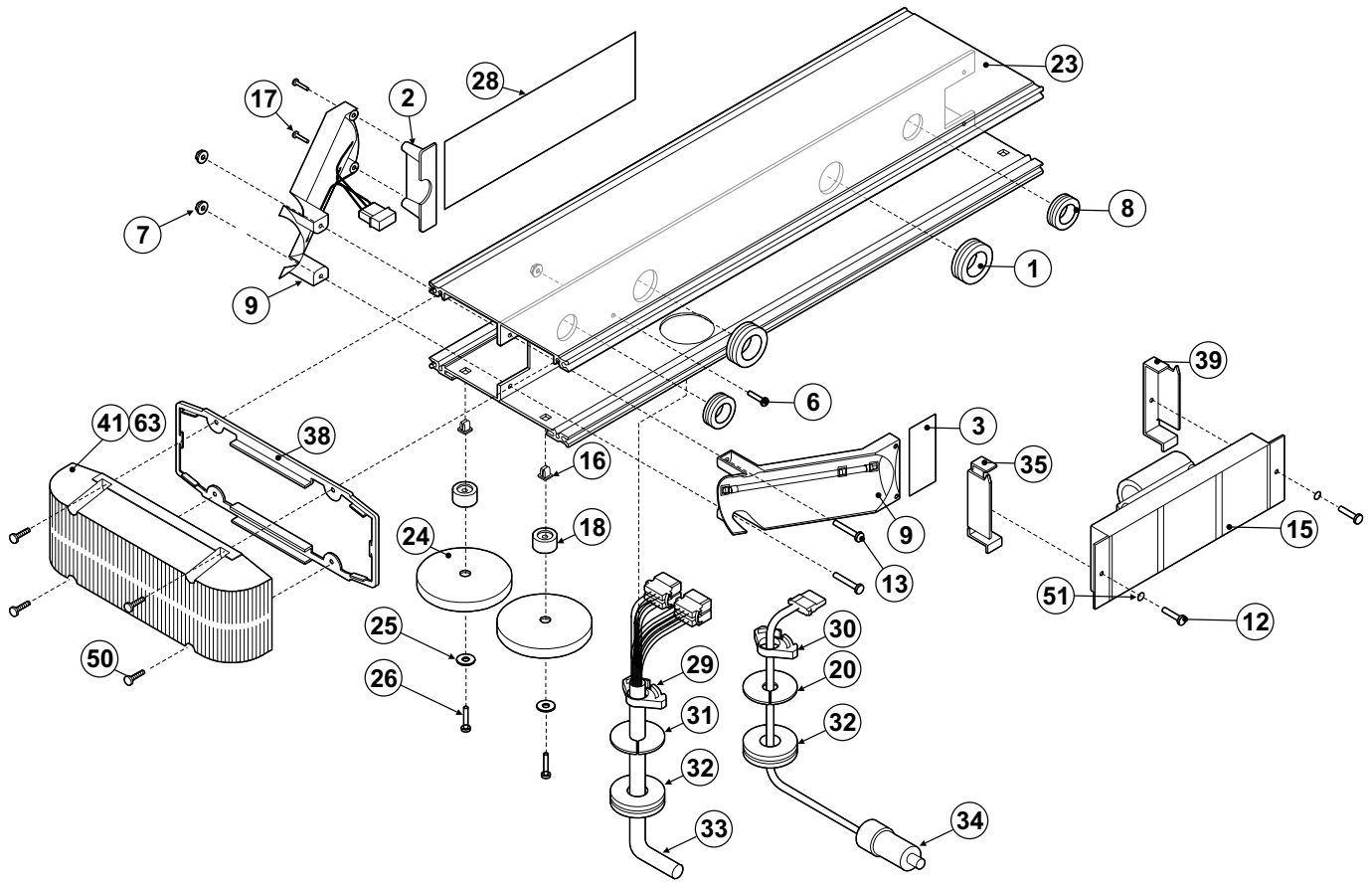


A = Connection for Linear Strobe
B = Connection for Halogen Light

WARNING: All Customer supplied wires that connect to the positive terminal of the battery, must be sized to supply at least 125% of the maximum operating current and fused at the battery to carry that load.

Mini-Edge with Cigar Plug





REPLACEMENT PARTS / MINI-EDGE LIGHTBAR

QTY.	QTY.	QTY.	QTY.	ITEM	PART NUMBER	DESCRIPTION
		*			01-0682808-00	MINI-EDGE ASSEMBLY / MAG. MOUNT / 94MEDGEM
		*			01-0682808-01	MINI-EDGE ASSEMBLY / PERM. MOUNT / 94MEDGEP
	*				01-0682808-V0	MINI-EDGE ASSEMBLY / MAG. MOUNT / VIOLET
	*				01-0682808-V1	MINI-EDGE ASSEMBLY / PERM. MOUNT / VIOLET
2	2	2	2	1	21-11324004-0	GROMMET 1.25"
4	4	4	4	2	07-241014-000	LIGHTHEAD BRACKET
2	2	2	2	3	09-1341933-16	FILLER PANEL / 1.00"
1	-	1	-	6	14-062216-080	#6-32 X 1/2 PPHMS
5	4	5	4	7	13-062111-053	#6-32 WHIZ NUT
2	2	2	2	8	21-11263204-0	GROMMET 1.00"
4	4	4	4	9	02-0362733-00	CORNER LINEAR REFLECTOR ASSEMBLY
2	2	2	2	12	14-104216-120	#10-24 X 3/4 PPHMS
4	4	4	4	13	14-062216-160	#6-32 X 1 PPHMS
1	1	1	1	15	01-0268033-00	SL6 POWER SUPPLY
-	4	-	4	16	21-17060704-3	#10 PLASTI-GROMMET
8	8	8	8	17	15-041816-160	#4 X 1 PPHSMS / WASHER HEAD
-	4	-	4	18	08-0640834-00	MOUNTING PAD
-	1	-	1	20	16-1566430-08	3/8" WASHER / I.D. DWG No. 41197
1	1	1	1	23	54-160701-000	EXTRUDED BASE / 24.25"
-	4	-	4	24	65-0010192-00	MAGNET-90LB PULL
-	4	-	4	25	16-1001220-06	#10 FLAT WASHER
-	4	-	4	26	15-101416-202	#10 X 1-1/4" PPHSMS
1	1	1	1	28	09-1361222122	FILLER PANEL / 12.25"
1	-	1	-	29	26-0121053-01	7/16" RICHCO CLAMP P/N SHC-26
-	1	-	1	30	26-0121053-00	3/8" RICHCO CLAMP P/N SHC-23
1	-	1	-	31	16-1766430-08	1/2" WASHER / I.D. DWG No. 41197

1	1	1	1	32	21-11245004-1	INPUT GROMMET / 1.562"
1	-	1	-	33	02-0242331-25	11/C COMPOSITE CABLE ASSEMBLY
-	1	-	1	34	02-0240837-00	CIGAR PLUG CABLE ASSEMBLY
1	1	1	1	35	07-242230-000	POWER SUPPLY BRACKET / LEFT
				36		
3	3	3	3	37	02-0341448-00	LENS DIVIDER ASSEMBLY
2	2	2	2	38	38-0261131-00	ENDCAP GASKET
1	1	1	1	39	07-242229-000	POWER SUPPLY BRACKET / RIGHT
-	-	2	2	41	68-1181528-20	ENDCAP / BLUE
-	-	2	2	42	68-1182100120	LENS SECTION / BLUE / 7.500"
1	1	1	1	43	68-1182184590	BLACK PANEL / 8.625"
-	-	2	2	44	68-1182100320	LENS SECTION / BLUE / 12.000"
1	-	1	-	47	46-0942332-00	INTERNAL HARNESS
1	1	1	1	48	46-0942308-00	STROBE HARNESS / GREEN 26"
1	1	1	1	49	46-0942307-00	STROBE HARNESS / BLUE 26"
8	8	8	8	50	14-104286-16J	#10-24 X 1.25 TORX HEAD
2	2	2	2	51	16-1021220-45	#10 INTERNAL TOOTH LOCKWASHER
2	-	2	-	52	39-0501316-04	AMP PIN
2	-	2	-	53	39-0408313-04	8 POSITION PIN HOUSING
1	-	1	-	54	46-0942475-00	POWER SUPPLY INPUT HARNESS
1	-	1	-	55	25-0830060-05	3 POSITION COMMONING TAB
1	-	1	-	56	25-0123220-03	#6 RING TERMINAL
-	1	-	1	57	46-0942222-00	POWER INPUT ADAPTER HARNESS
-	1	-	1	58	46-0722170-00	PATTERN CONTROL HARNESS
2	2	-	-	60	68-11821003V0	LENS SECTION / VIOLET / 12.000"
2	2	-	-	61	68-11821001V0	LENS SECTION / VIOLET / 7.500"
2	2	-	-	63	68-1181528-V0	ENDCAP / VIOLET

